



DIGITAL OUTPUT OVERRIDE CARDS for BACnet Controllers

Specifications:

BCS-HOA-3-BACNET

BCS-HOA-4-BACNET

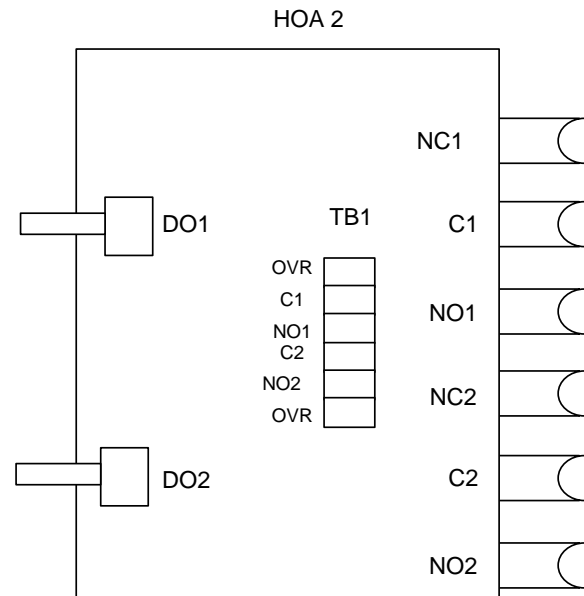
Operating Temperatures:

+32 to +122 Degrees F.

Contact Ratings:

Up to 1 Amps at 250 VAC

Up to 3 Amps at 120 VAC



HOA BACnet SERIES

The HOA BACnet Series of Digital Out Override Cards are available in two varieties; three and four channel versions. These cards allow for manual override switching of a controller's output channel. These cards were designed for the TAC MNB-300 & MNB-1000 Controllers but may be applied to any controller via interposing terminals.

The HOA BACnet card allows an operator to manually select On-Off-Auto positions for a particular piece of equipment. Monitoring of its own override status is an added feature. Terminals INX and COM provide an individual switch status. The same circuitry used in the DPC-3-1 has been used on these cards to provide status back to the controller when any one or more switches are out of the Auto position.

To Place an Order Please Call:

TAC
1354 Clifford Avenue
P. O. Box 2940
Loves Park, IL 61132
(815) 637-3000

Specifications are accurate and current at time of publication. BCS reserves the right to discontinue models or options, revise specifications or designs without prior notice. Applicability of product is the responsibility of the purchaser.

August 2007

DIGITAL OUTPUT OVERRIDE CARDS

HOA-4

