



DIGITAL OUTPUT OVERRIDE CARDS

Specifications:

Operating Temperatures:

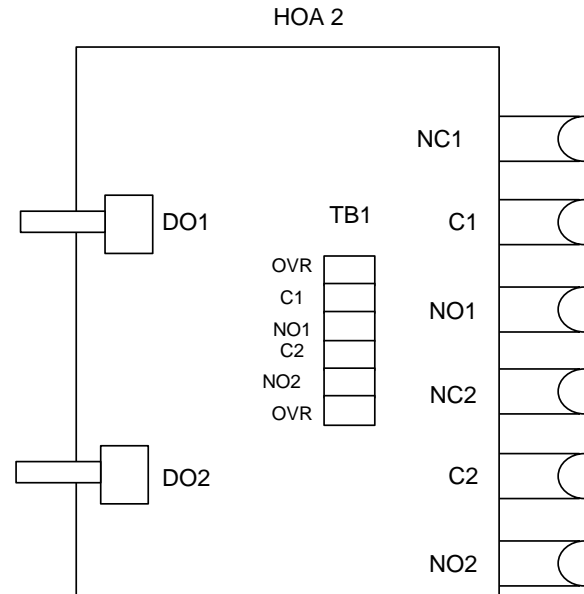
+32 to +122 Degrees F.

Contact Ratings:

Up to 5 Amps at 250 VAC

**** Note ****

*Not to exceed Microzone Controller rating of
120 VA at 120 VAC Pilot Duty
30 VA at 24 VAC Pilot Duty*



HOA SERIES

The HOA Series of Digital Output Override Cards are available in two varieties: two and four channel versions. These cards allow for manual override switching of a controller's output channel. The card was designed for the TAC Network 8000 Microzone II Controller but may be applied to any controller via interposing terminals.

The HOA (2/4) allows an operator to manually select On-Off-Auto positions for a particular piece of equipment. Monitoring of its own override status is an added feature. Terminals OVR and OVR provide a normally closed contact which opens when any switch is placed out of the Auto position.

To Place an Order Please Call:

TAC
1354 Clifford Avenue
P. O. Box 2940
Loves Park, IL 61132
(815) 637-3000

Specifications are accurate and current at time of publication. BCS reserves the right to discontinue models or options, revise specifications or designs without prior notice. Applicability of product is the responsibility of the purchaser.

August 2007

DIGITAL OUTPUT OVERRIDE CARDS

HOA-4

